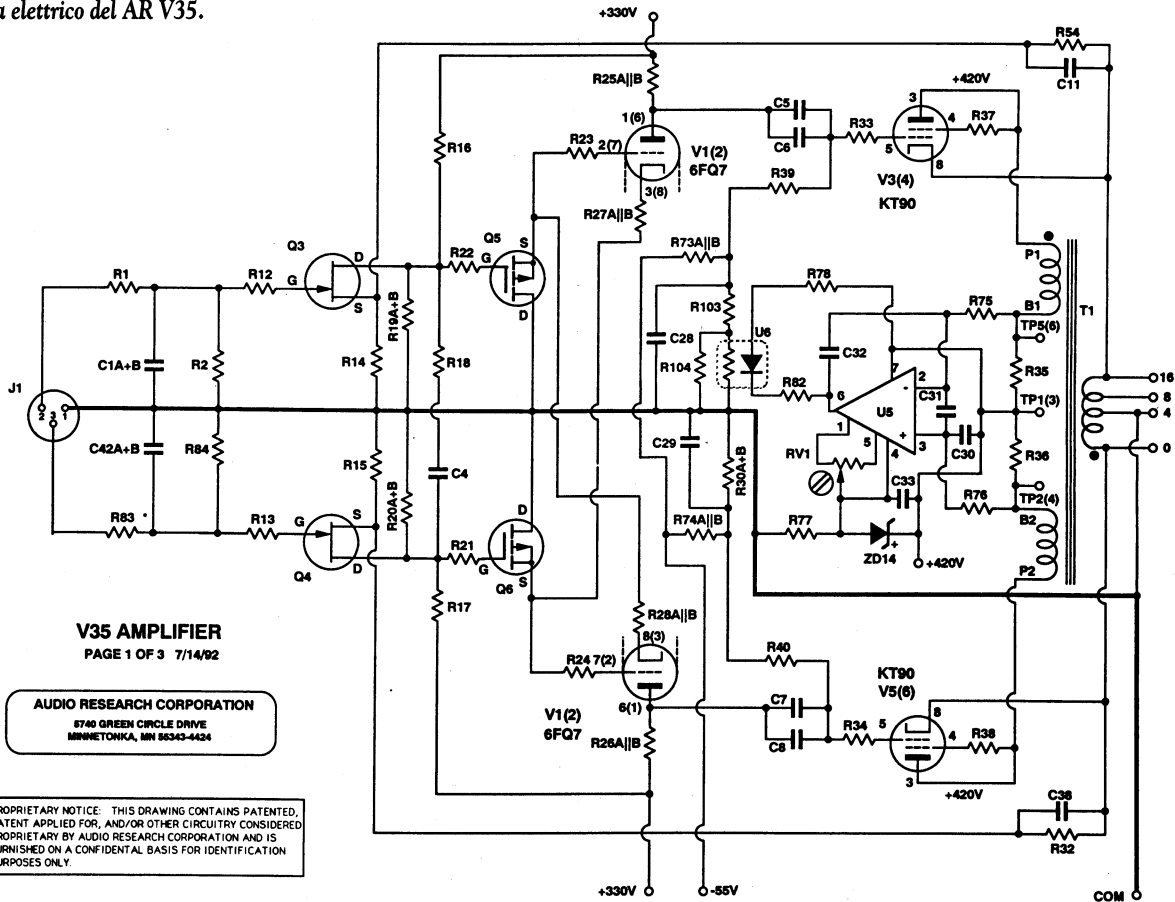


Fig.10. Schema elettrico del AR V35.



V35 AMPLIFIER

PAGE 1 OF 3 7/14/92

AUDIO RESEARCH CORPORATION

8740 GREEN CIRCLE DRIVE
MINNETONKA, MN 55343-4424

PROPRIETARY NOTICE: THIS DRAWING CONTAINS PATENTED, PATENT APPLIED FOR, AND/OR OTHER CIRCUITRY CONSIDERED PROPRIETARY BY AUDIO RESEARCH CORPORATION AND IS FURNISHED ON A CONFIDENTIAL BASIS FOR IDENTIFICATION PURPOSES ONLY.